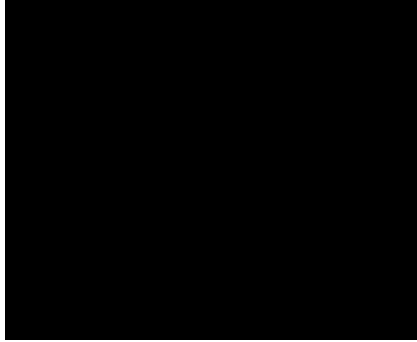


Small Signal Schottky Diode



Features

- Epoxy meets UL-94 V-0 flammability rating and halogen free
- Moisture Sensitivity Level 1
- Low Forward Voltage Schottky Rectifier
- V_{RRM} 40V
- I_{FAV} 120mA
- Part no. with suffix "Q" means AEC-Q101 qualified

Applications

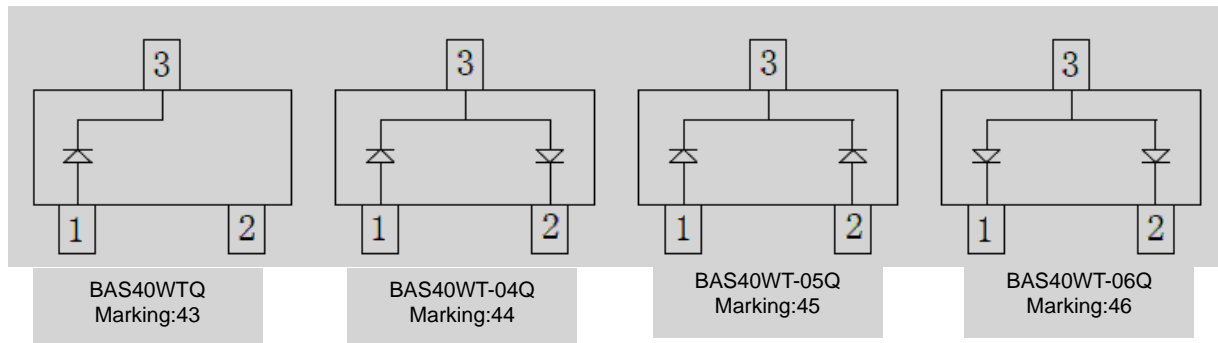
- Ultra high speed switching
- Voltage clamping
- Automotive

SOT-323

Mechanical Data

Case: SOT-323

Terminals: Tin plated leads, solderable per J-STD-002 and JESD22-B102



Maximum Ratings ($T_a=25$ Unless otherwise specified)

| PARAMETER | SYMBOL | UNIT | CONDITIONS | VALUE |
|---|------------|------|---------------------|-------------|
| Peak Repetitive Reverse Voltage | V_{RRM} | V | | 40 |
| Average Forward Current | I_{FAV} | mA | | 120 |
| Non-Repetitive Peak Forward Surge Current | I_{FSM} | A | square wave tp 10ms | 2 |
| Power Dissipation | P_D | mW | | 250 |
| Thermal Resistance Junction to Ambient | R_{thJA} | /W | | 500 |
| Junction Temperature | T_j | | | -55 to +150 |
| Storage Temperature Range | T_{stg} | | | -55 to +150 |

%\$6 :74 7+58 %\$6 :7 4

v(OHFWULFDO &KÄZDFW8QDHWVFRWKHUÄLVH VSHFLILHG

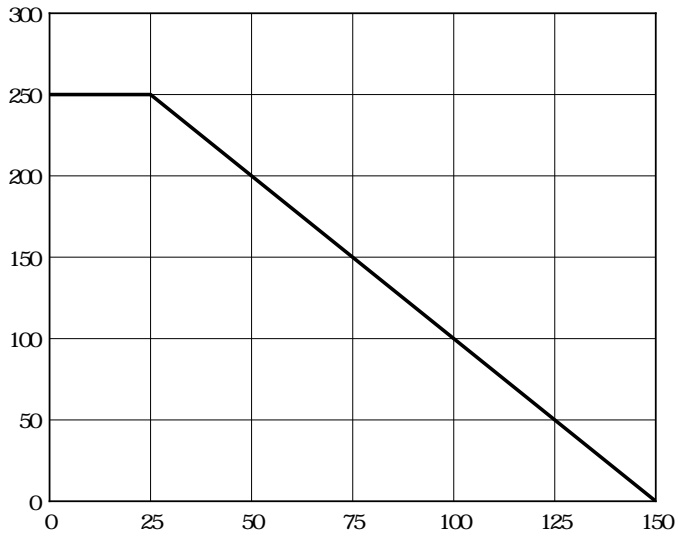
| 3\$5\$0(7(5 | 6<0%2 | 81,7 | &21',7,216 | 0,1 | 0\$; |
|----------------------------|----------|------|----------------------|-----|------|
|)RUZDUG 9ROWDJH | 9, | |) P\$ | | |
| 5HYHUVH &XUUHQW | 5 | \$ | 9 9 | | |
| 5HYHUVH %UHDNGRZQ 9RQW DJH | 9RQW DJH | | 9 9 5 \$ | | |
| -XQFWLRQ &DSDFLWDQFH . | | | & S 5 9 I Q+ | 9 | |
| 5HYHUVH 5HFRYHU\ 7LPH UU | | | W) Q P\$,UU P\$ 54 | | |

v 2UGHULQJ ,QIRUPPSVLRQ

| 35()(5(' 3 1 | 3\$&.,1* &2'(' | 81,7 :(',*+7 | 0,1,080 3\$&.\$*(SF | .11(5 %2; 48\$17,7< SF | 287(5 &\$572 48\$17,7< SF | '(/,9(5< 02'(' |
|---|----------------|--------------|----------------------|------------------------|---------------------------|----------------|
| %\$6 :74 %\$6 :7 4 %\$6 :7 4 %\$6 :7 4 |) | \$SSUR[LPDWH | | | | |



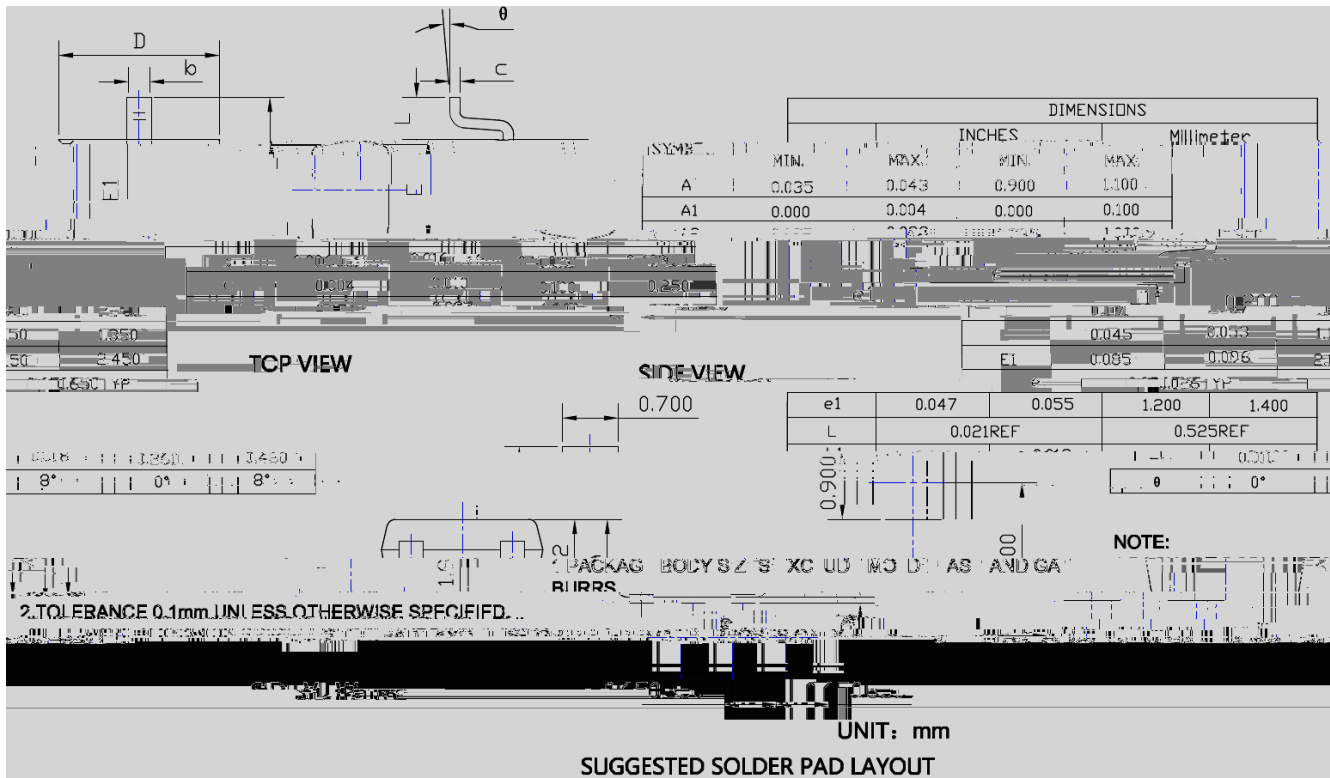
Fig.1: P_D-T_A



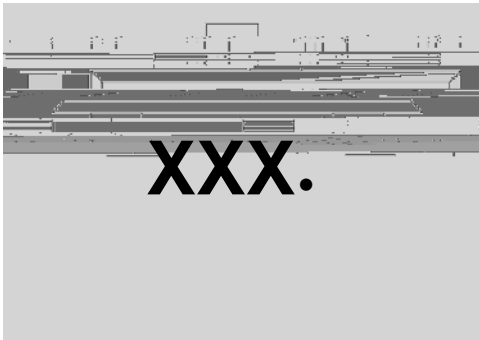


BAS40WTQ THRU BAS40WT-06Q

Outline Dimensions



Marking Information



| | |
|-------------|-----|
| BAS40WTQ | 43. |
| BAS40WT-04Q | 44. |
| BAS40WT-05Q | 45. |
| BAS40WT-06Q | 46. |

Note:

1. All marking is at middle of the product body
2. All marking is in laser marking
3. XXX is Marking Code
4. Body color: Black



BAS40WTQ THRU BAS40WT-06Q

Disclaimer

The information presented in this document is for reference only. Yangzhou Yangjie Electronic Technology Co., Ltd. reserves the right to make changes without notice for the specification of the products displayed herein to improve reliability, function or design or otherwise.

The product listed herein is designed to be used with automotive electronics are not designed for use in medical, life-saving, lifesustaining, or military, Yangjie or anyone on its behalf, assumes no responsibility or liability for any damages resulting from such improper use of sale.

This publication supersedes & replaces all information previously supplied. For additional information, please visit our website [http:// www.21yangjie.com](http://www.21yangjie.com) , or consult your nearest Yangjie's sales office for further assistance.